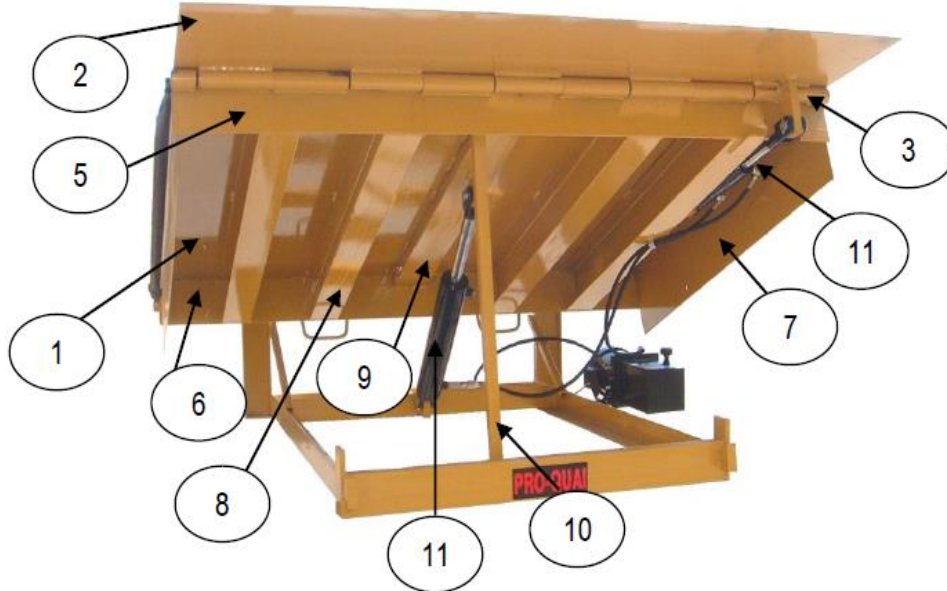




ULD640



Technical Specifications

- | | |
|-----|--|
| 1. | Top plate: checker plate 1/4" |
| 2. | Standard lip: checker plate 5/8" x 16" |
| 3. | Front piano hinge of 2 3/8" & 1 1/4" shaft |
| 4. | Rear piano hinge of 1 5/8" & 1" shaft |
| 5. | Front support flat bar: 6" |
| 6. | Rear support flat bar: 6" |
| 7. | Standard fixed toe guard |
| 8. | 6 H-Beam 6"@9.00 lbs/ft |
| 9. | 5" central channel |
| 10. | Standard maintenance stand |
| 11. | 1 Principal cylinder with anti-drop valve
1 Double action cylinder on the lip |
| 12. | Dimension : 6' x 6' |
| 13. | Dynamic load of 40 000 lbs |

Distributor's informations

Name :

Phone :

Address :

Options

Voltage : Quantity :

Customer's informations

Name :

Phone :

Address:

Project Name

Signature



ULD640

Nominal pit size

Width	Length	Front height	Rear Height
6'	6'	20"	19,5"
1828 mm	1828 mm	508 mm	495 mm

Actual pit size

Width	Length	Front height	Rear height
73"	63"	20"	19,5"
1854 mm	1600 mm	508 mm	495 mm

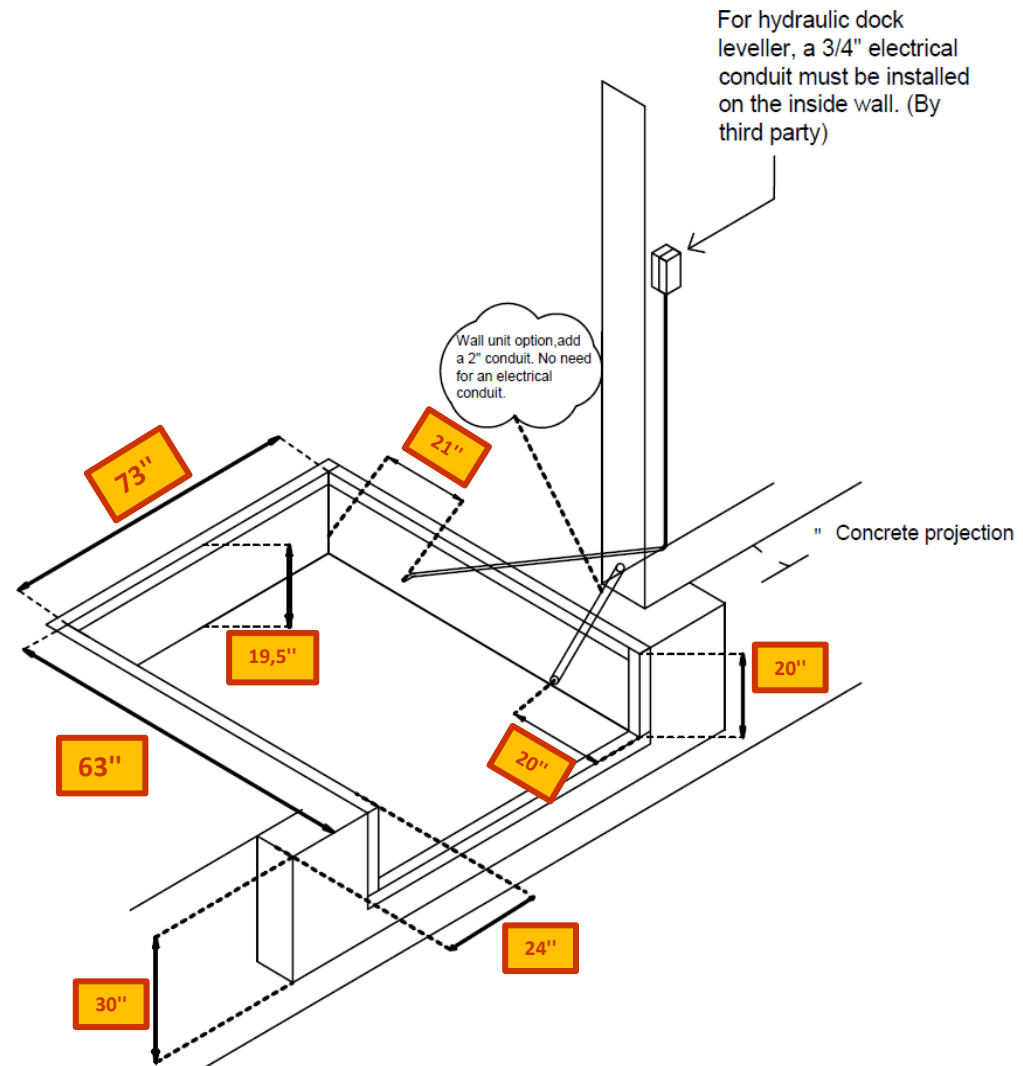
Curb angles dimensions

Front width	79"	2006 mm
Rear width	79"	2006 mm
Length	60"	1524 mm
Height	20"	508 mm

When there is a downward slope towards the building, the dock leveler and the bumpers will be installed projecting outwards according to the slope's percentage.

Slope %	Concrete projection*
2%	2 1/2" 64 mm
4%	5" 127 mm
6%	7 1/2" 191 mm
8%	10" 254 mm

Projection calculated from the back of the door seal



**If truck retrain, make concrete projection until footing.